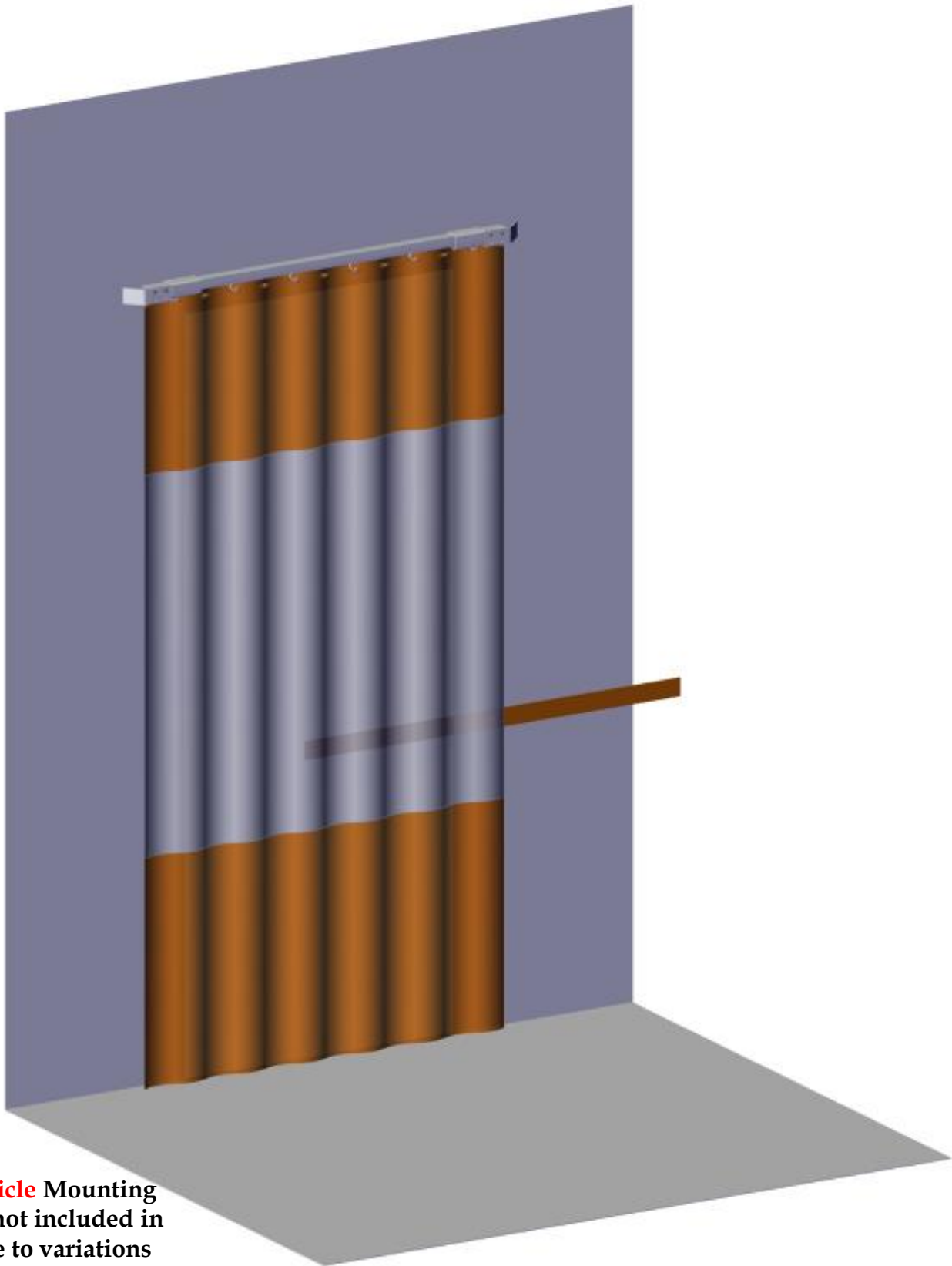


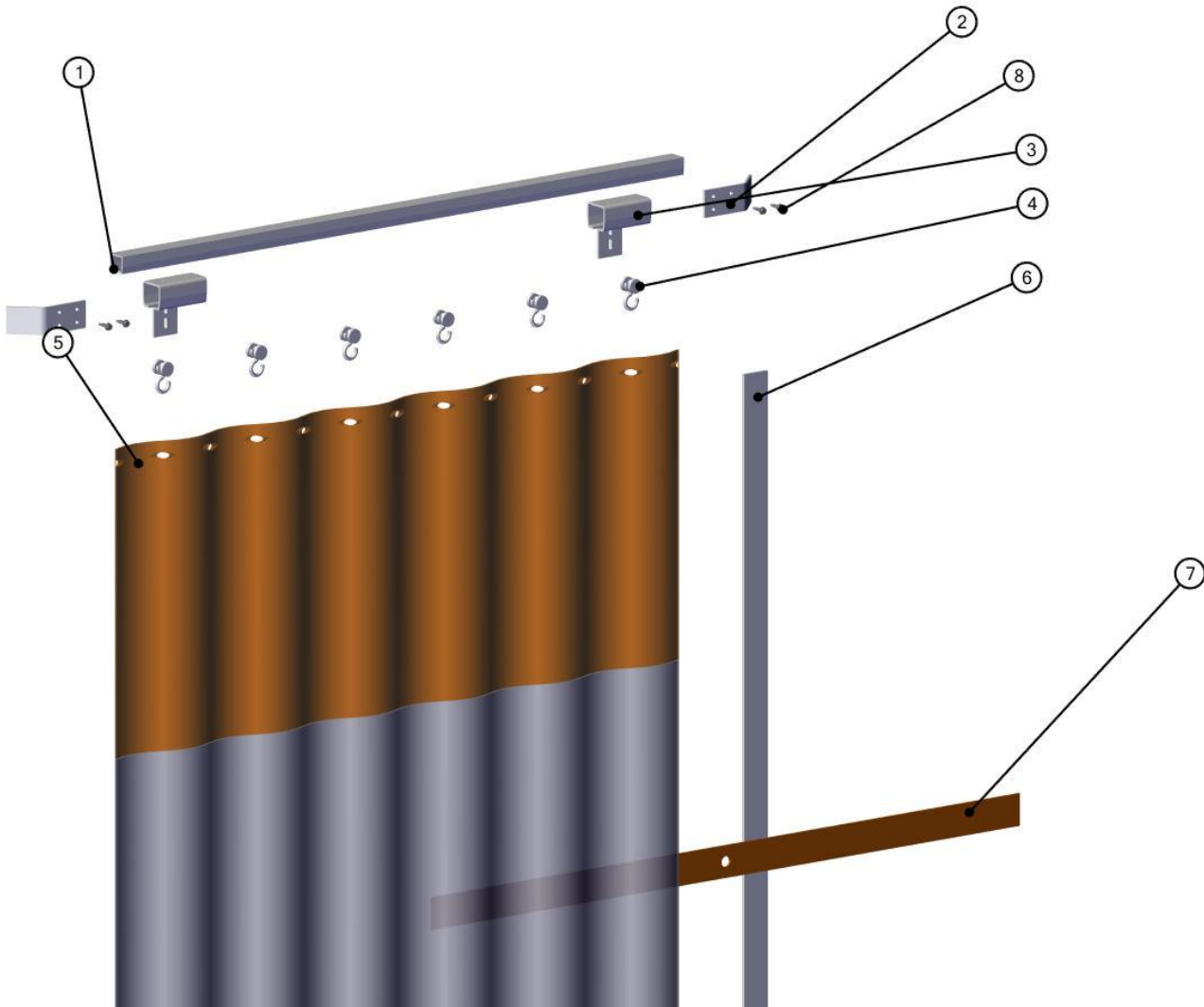
SIDE DOOR ROLLER CURTAIN



Installation Instructions

Note: **Vehicle** Mounting fasteners not included in the kit due to variations in Construction.

SIDE DOOR ROLLER CURTAIN



Installation Instructions

No.	Description	Qty
1	TR-K 15 (CUT TO LENGH)	1
2	B8711-0052: End deflector	2
3	WMCD-K46: Wall mount connector, flange down	2
	Set Screws	4
4	NY-K42 ROLLER HOOK	Width Specific
5	CURTAIN	1
6	SIDE WALL VELCRO	1
7	Tie Back Strap	1
8	AC-1132046: Self drilling screws	4

SIDE DOOR ROLLER CURTAIN



- **Brackets should be mounted to the vertical posts on each side of the side door. Fasten the top of the mounting bracket with track 6" from the top of the door opening so that the length of the curtain provided just touches the floor.**
- **Suitable fasteners (not provided) shall be used depending on the vehicle and reinforcements available.**
- **Insert Roller Hooks.**
- **Attach Deflector Ends as shown on the following page with the Fasteners indicated.**
- **Hang Curtain on Hooks.**
- **Fasten Tie Back to one side of the door frame for securing the curtain to the side. Standard placement is 36" up from the floor centered in the width of the Velcro.**

Note: Vehicle Mounting fasteners not included in the kit due to variations in Construction.

SIDE DOOR ROLLER CURTAIN

Installation Instructions

