

RA-SIDEFILLER

For use with RAC-1CS (Return Air - Thermo King Precedent)

Installation Instructions



P R O D U C T S , I N C .

3000 Pioneer Avenue • Rice Lake, WI 54868 • USA

715-234-2334 • Fax 715-234-0989

Email: info@fgproducts.com

Introduction

The RA-SIDEFILLER is an additional part that is required for systems diverting air to the curbside.

The RA-SIDEFILLER must be installed on the refrigeration unit before the return air bulkhead is installed.

Installation

1. Loosen the screws on the roadside edge of the refrigeration unit.
2. Slide the RA-SIDEFILLER between the trailer opening and the refrigeration unit.
3. The notched edge will slide underneath the face plate of the refrigeration unit.
4. Once in place, re-tighten screws on the refrigeration unit.

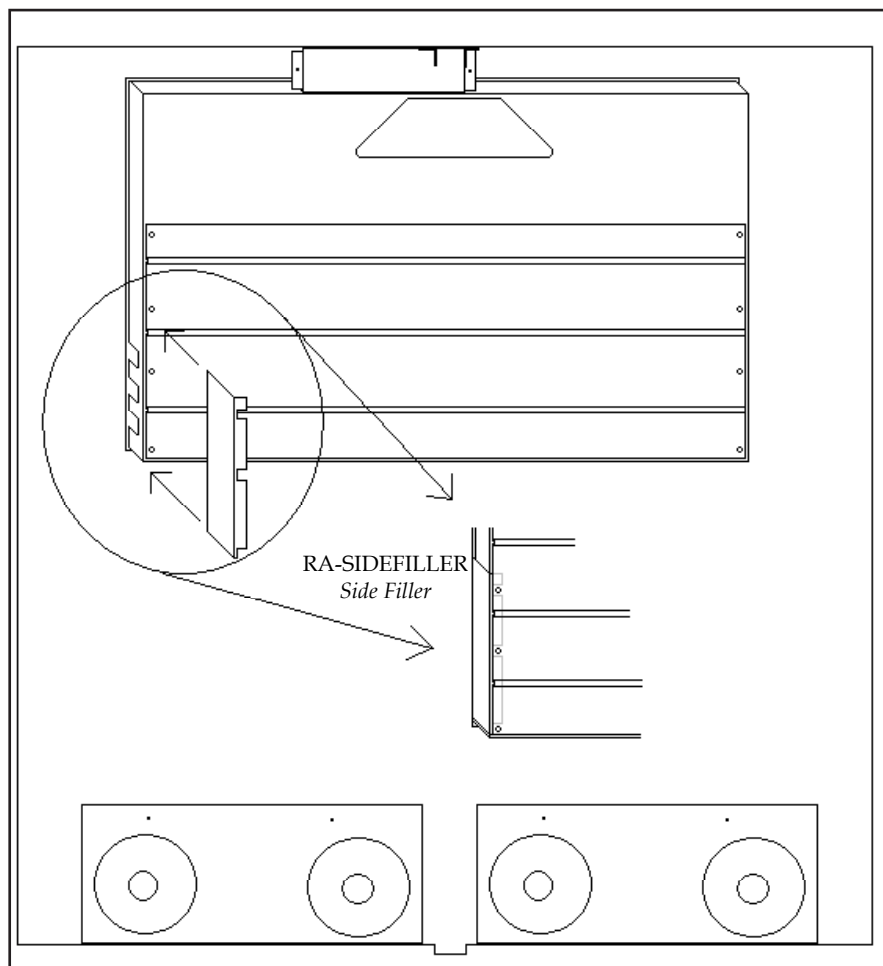


Diagram 1